

A communication system for UHM libraries
to allow for dial-in access by:

University of Hawaii Community College Libraries

University of Hawaii faculty and Students

University of Hawaii Related Agencies

The East-West Center

Hawaii State Agencies, Departments, etc.

And to allow for future access by similar
groups outside of the state of Hawaii.

The current computer system being Implemented at the UHn Libraries is designed in the initial phase to support a total of 128 ports to support library technical services and public access for the undergraduate collection housed at Sinclair library. A certain number of ports will be designated at [sic] dial-in ports. The cost and communication infrastructure currently available for the University of Hawaii indicates that it would be best to implement the first phase of outside access through a utilization of the University of Hawaii Computing Center communication facilities (see diagram 1 for a description of this particular configuration).

As the demand for dial-in ports increases and as the total number of ports available on the library computer system expands to 256 and then to 384 the UHM Library will need to aquire its own swithing [sic] equipment to handle the load (see diagram 2 for a description of the possibilities of this particular configuration). The necessary complexity of this type of system and its related costs is directly related to who will be using the system, what they will be using it for and what method of communications must be utilized (this is largely dependent on the resources available to the end user).

Proposal for Phase I of
dial-in access to the UH
Library database

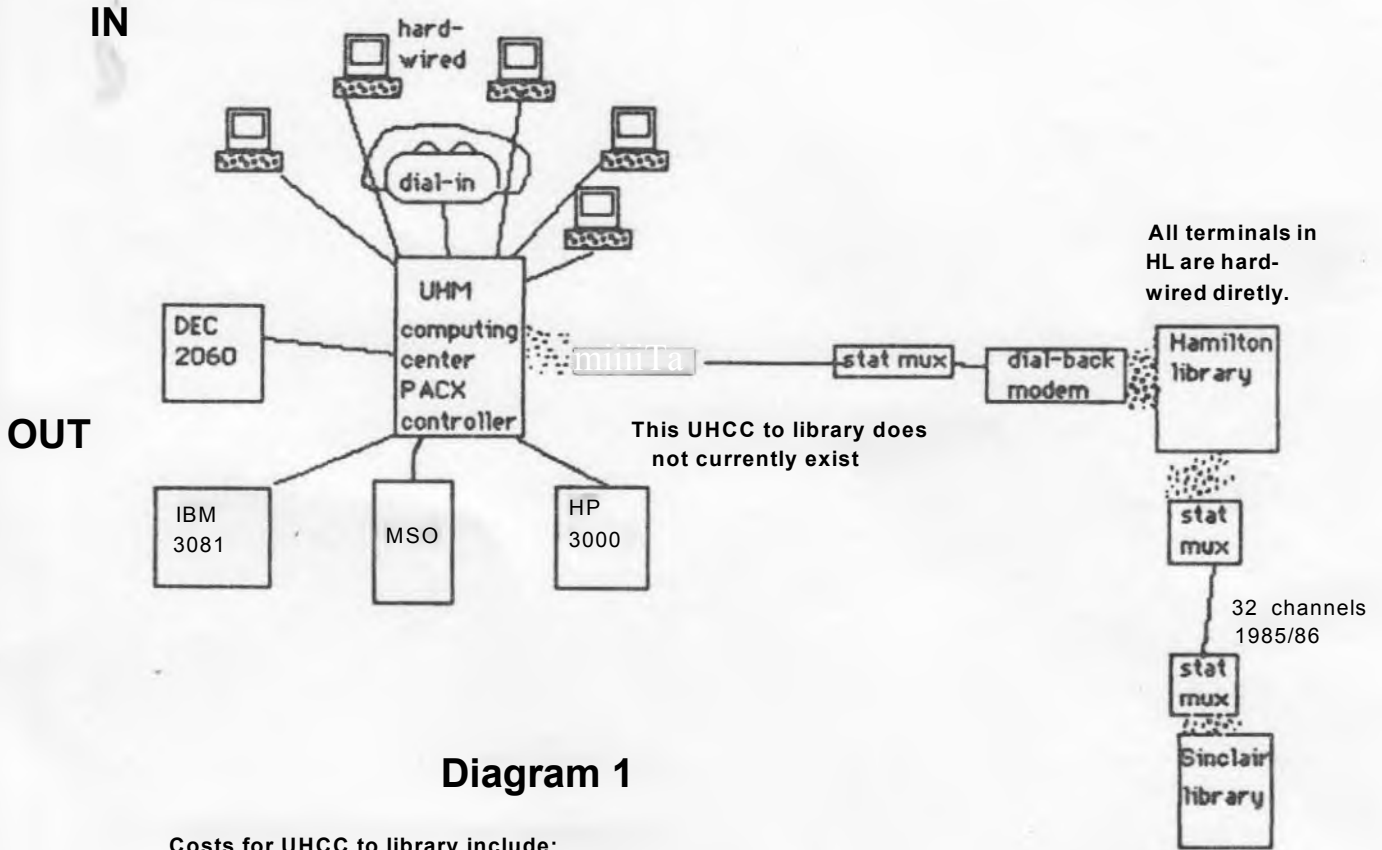


Diagram 1

Costs for UHCC to library include:

- 125 per UHCC port,
- 280 per phone line annually ,
- 5000 per pair of 16 channel multiplexors and modems

Proposal for Phase II of
dial-in access to the UH
Library database

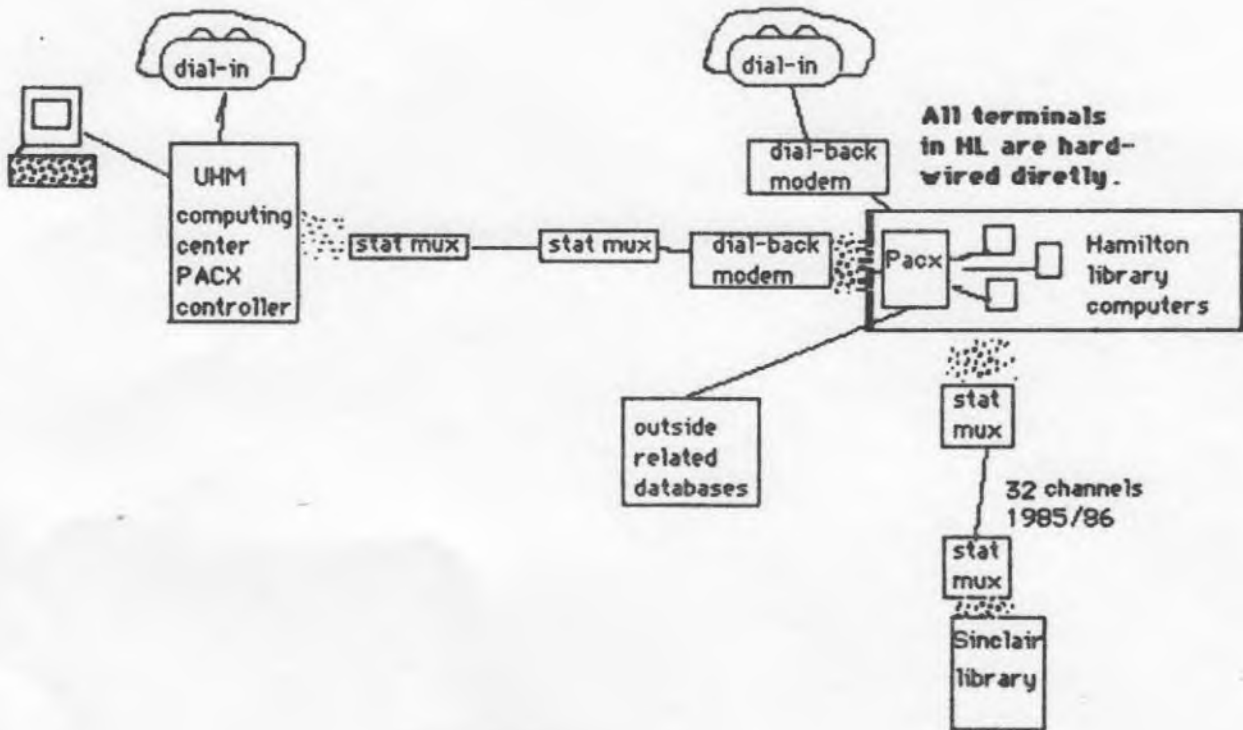


Diagram 2

In addition to the costs outlined in diagram 1 the library will need it's own PACX controller and communication facilities appropriate to the availability and capabilities of the end users of libraries databases.